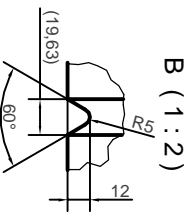
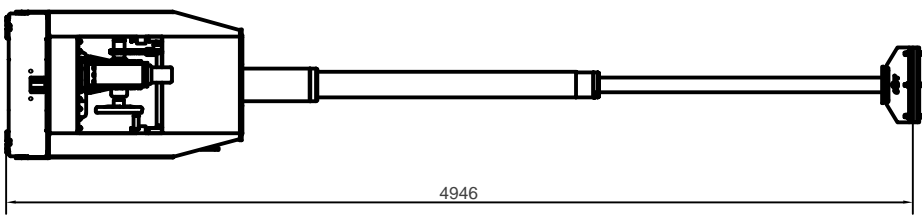
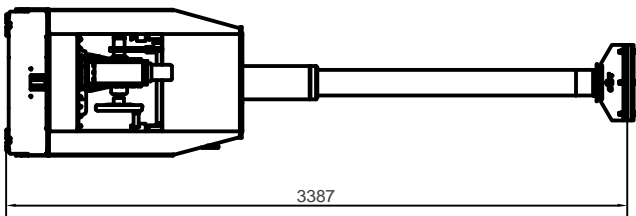
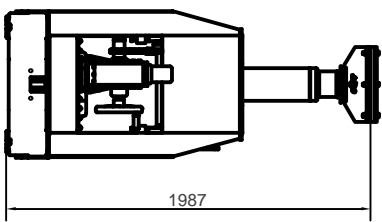
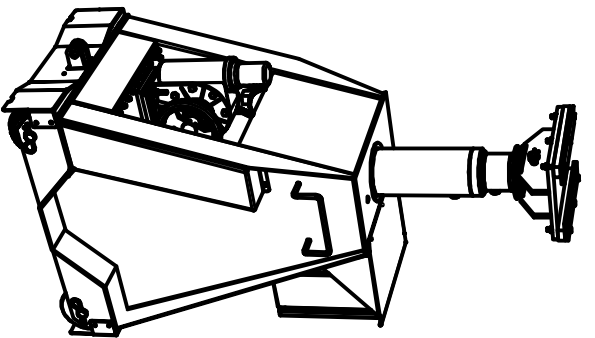
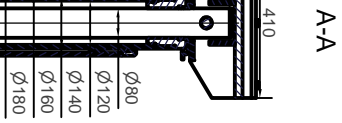
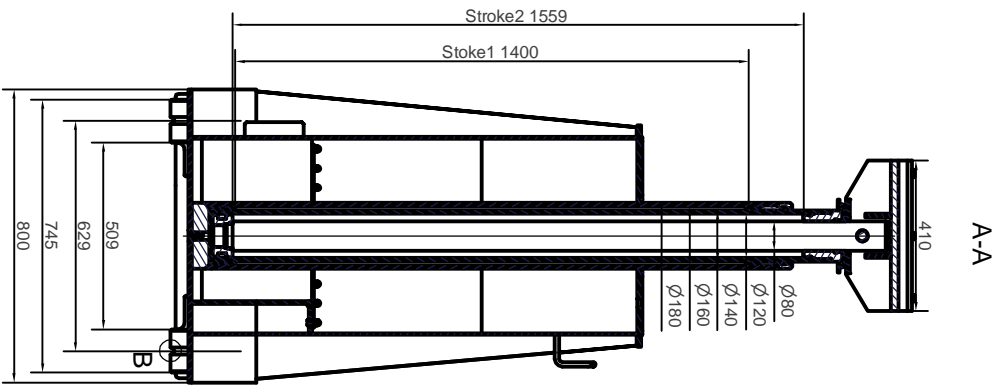
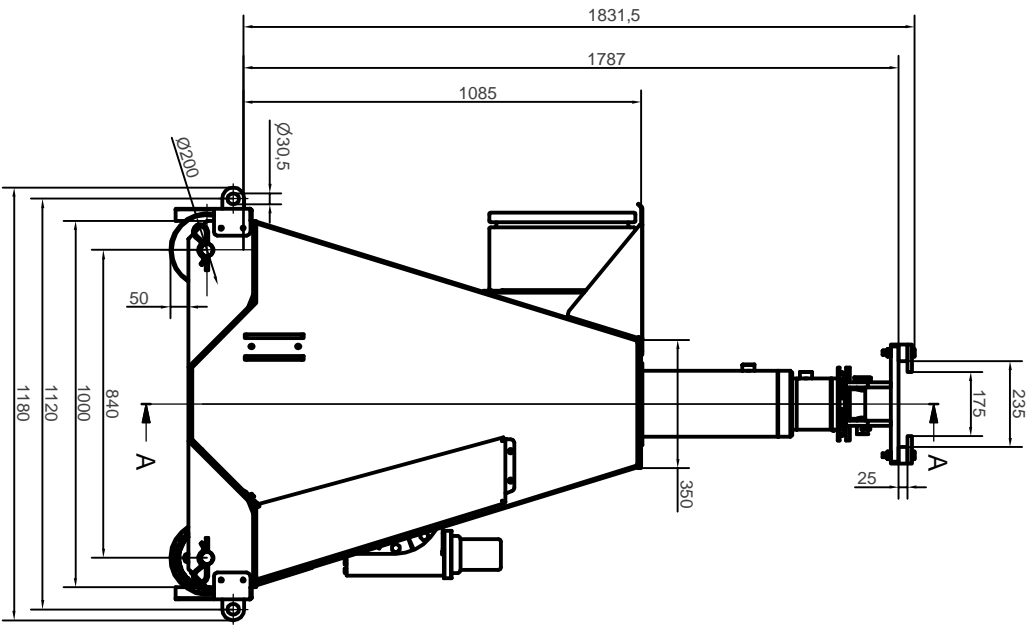


Working load:  
Stage 2: 150 kN @ 73 bar



B (1:2)

PROJ. NO.	02728.01.00.00	REV.	1	DATE	2008-01-10	BY	AZ	CHECKED	A
PROJ. NAME	Super Lift 60 Te	SCALE	1:1	DESIGNER		APPROVED		DATE	
PROJ. NO.	02728.01.00.00	REV.	1	DATE	2008-01-10	BY	AZ	CHECKED	A
PROJ. NAME	Super Lift 60 Te	SCALE	1:1	DESIGNER		APPROVED		DATE	
PROJ. NO.	02728.01.00.00	REV.	1	DATE	2008-01-10	BY	AZ	CHECKED	A
PROJ. NAME	Super Lift 60 Te	SCALE	1:1	DESIGNER		APPROVED		DATE	