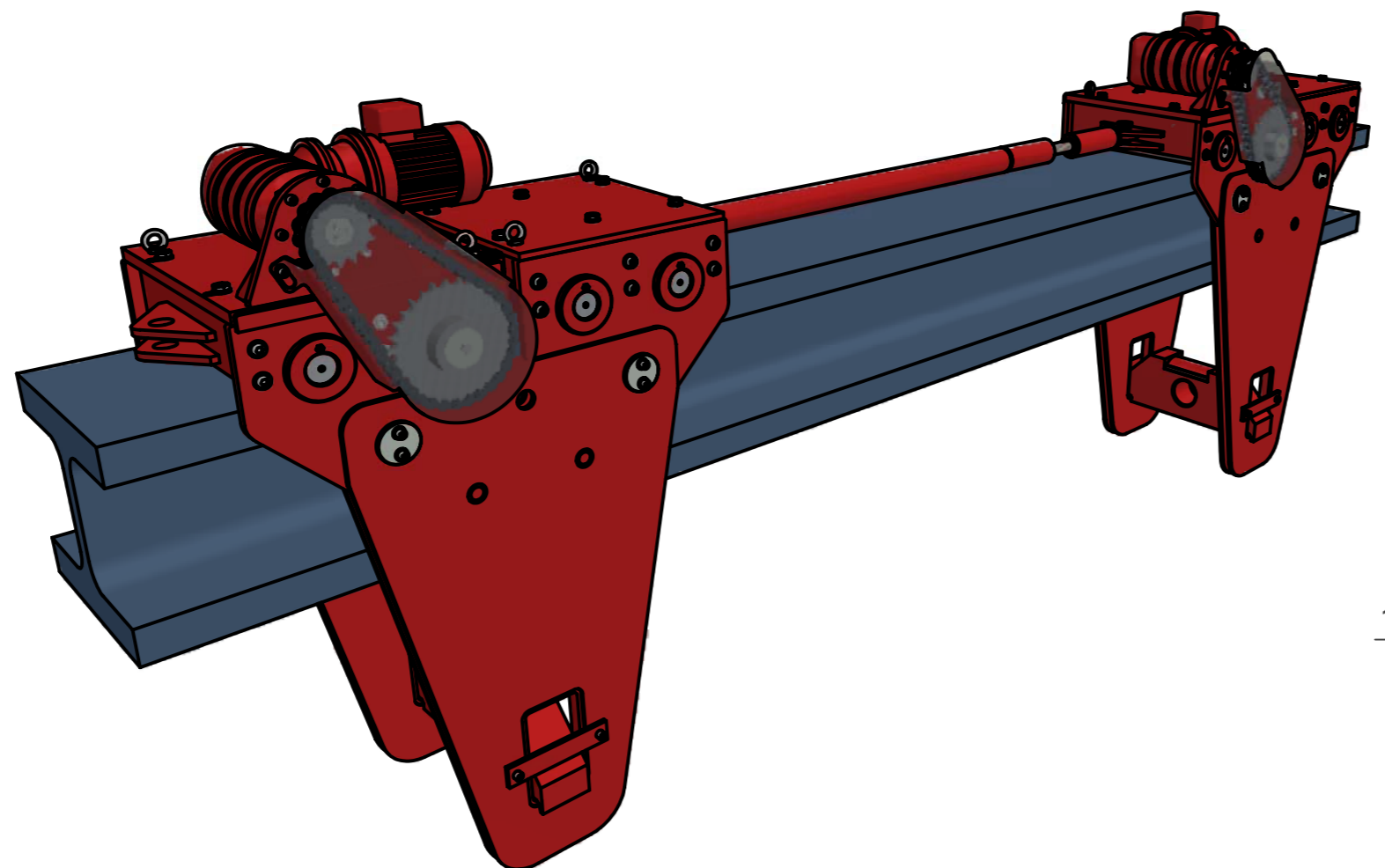
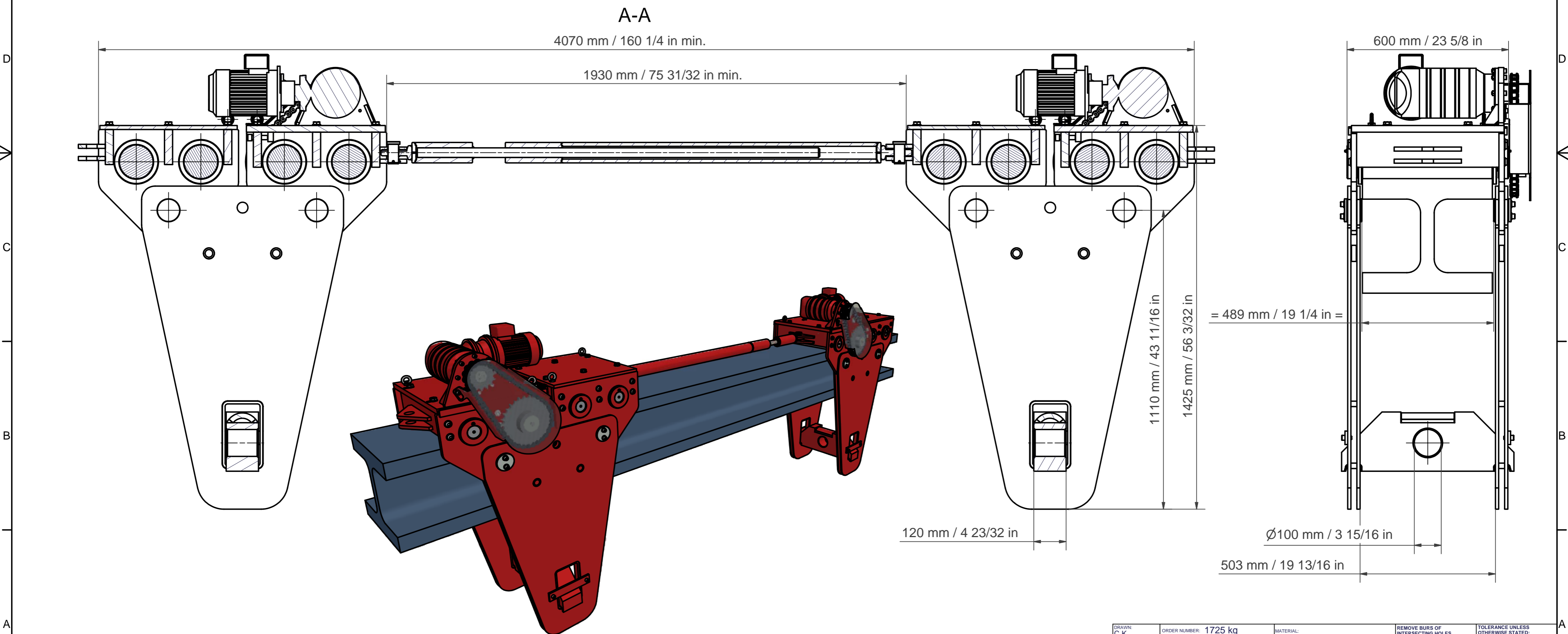


Capacity:
 112 Sh. Te per Anchor (100 Metric Te)

Total weight:
 appr. 3805 lbs (1725 kg)

Max. travelling speed:
 appr. 2 ft/min (0,60 m/min) @ 1400 RPM



DRAWN: C.K.	ORDER NUMBER: 1725 kg	MATERIAL:	REMOVE BURS OF INTERSECTING HOLES. BREAK SHARP EDGES. 0.1-0.3x45°	TOLERANCE UNLESS OTHERWISE STATED: ANGLE: ±0.5° LINEAR: ±0.5
DATE: 11-10-2005	SCALE: 1 : 10	APPROVED:		
OPAALSTRAAT 44, 7554 TS HENGLO HOLLAND PO BOX 421, 7550 AK HENGLO HOLLAND TELEPHONE 074-242045 FACSIMILE 074-242038 E-MAIL: INFO@HYDROSPEX.NL		ROUGHNESS OVERALL: 3.2	PART NAME: Beam Skidding Unit 450 Sh. Te	FROM: A2
HYDROSPEX		REV.:	DRAW. NO.: 02575.01.00.00	